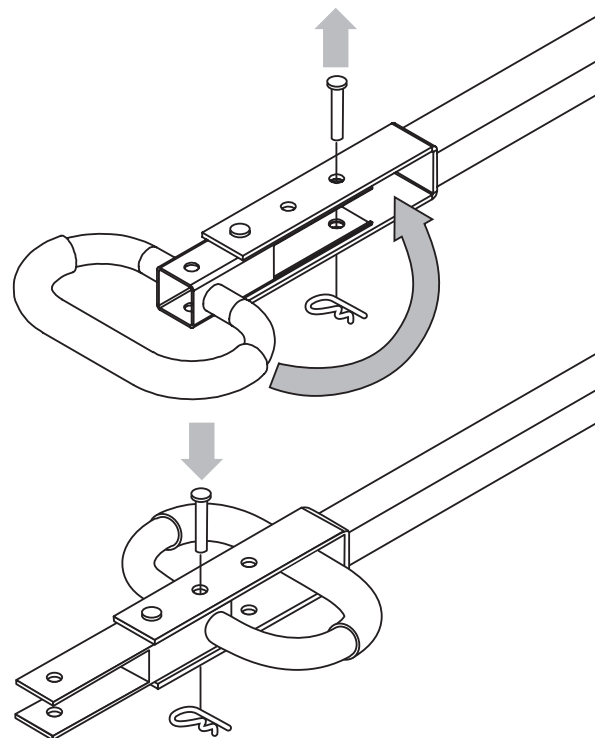
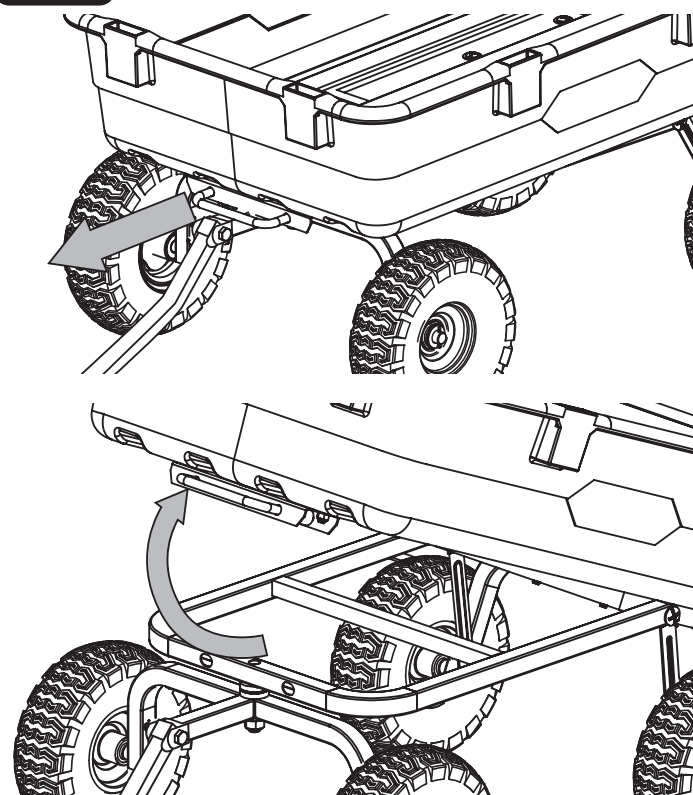


# 7



# 8



### IMPORTANT SAFETY INSTRUCTIONS

1. Read, understand and follow ALL instructions before using this product.
  2. Do not exceed the overall maximum load capacity of **362 kg** or the maximum dumping load capacity of **181 kg**.  
The weight rating is based on an evenly distributed load.
  3. Do not allow children to use the cart without supervision. This cart is not a toy.
  4. Do not use this cart for transporting passengers.
  5. This cart is not intended for highway use.
  6. Do not exceed 5 mph.
  7. Distribute the load evenly over the surface of the tray.
  8. Do not load items on the top edges of the tray.
  9. If any parts become damaged, broken or misplaced, do not use the cart until replacement parts have been obtained.
  10. Do not use the cart on surfaces or for transporting objects that can cause damage to the pneumatic tires or tubes.
- DO NOT INFLATE THE TIRES TO MORE THAN 30 PSI (2.07 BAR).**
11. It is recommended that the cart be inspected for damage before each use.
  12. KEEP THESE INSTRUCTIONS FOR FURTHER REFERENCE.

3Pillar Group  
 GF04/12 Cato Street  
 Hawthorn East 3123 Victoria Australia  
[www.3pillargroup.com.au](http://www.3pillargroup.com.au)  
 1-800-867-6763

181461A

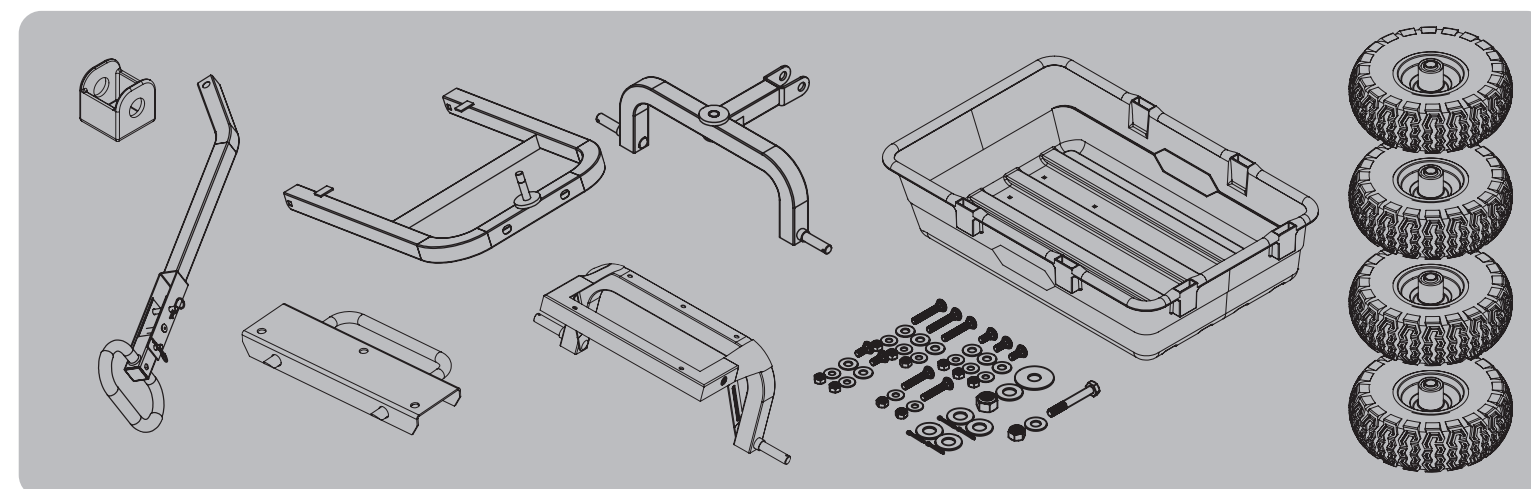


# GORILLA CARTS®

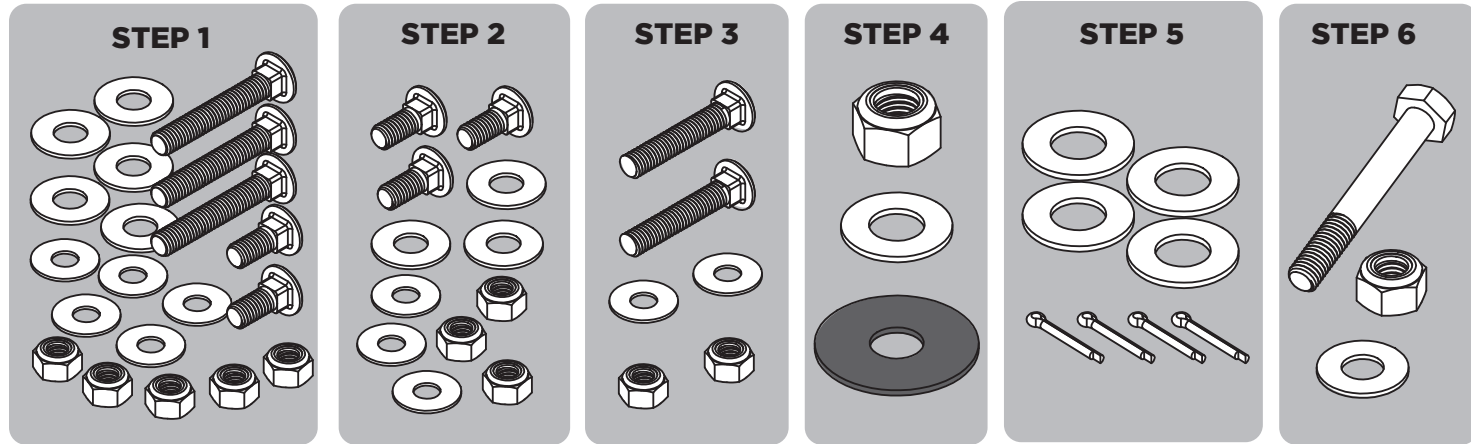
MODEL # GOR5-AU  
 ITEM #: 760693



Gorilla Carts® are covered by several issued and pending US and international patents.  
 For more information, please visit [www.gorillacarts.com/patents](http://www.gorillacarts.com/patents)



# HARDWARE



## TOOLS REQUIRED



## ASSEMBLY INSTRUCTIONS

